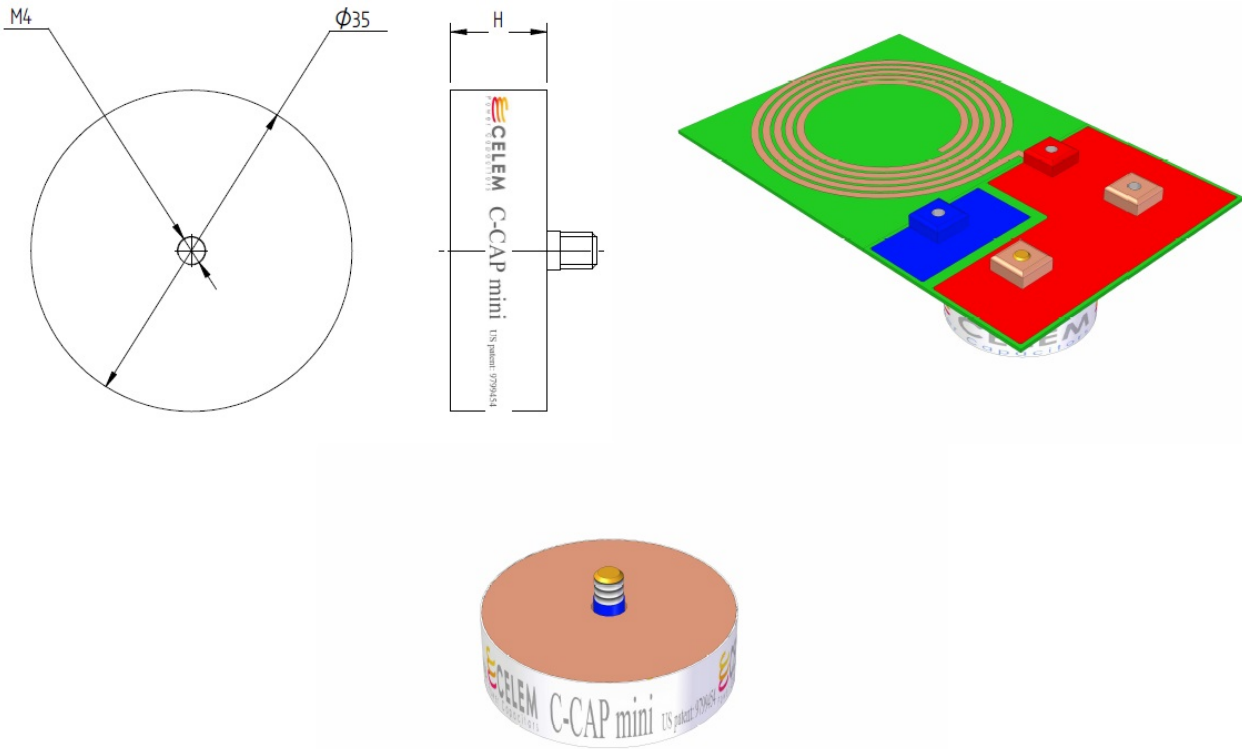


# C - CAP mini

Conduction-cooled capacitor



Technology Patented Worldwide



C-Cap mini is a low profile power capacitor. It was developed based on the new innovative coaxial technology (US Patent 9799454) by Celem. It comes in 2 versions, a standard, polypropylene, version and a PPS version for environment up to 125° C.

The C-Cap mini can be customized electrically and mechanically.

Different capacitances and voltages available upon request.

## Specifications

Type		C - CAP mini				
Dimensions (D x H)	mm	Ø35 x 16.8(min)	Ø35 x 10.8(min)	Ø35 x 16.8(min)		
Weight	kg	0.02				
Capacitance (±10%)	µF	0.085µF	0.09µF	0.27µF	0.3µF	0.66µF
Sinusoidal Voltage	V <sub>rms</sub>	900	700	550	700	550
Peak_Voltage	V	1273	990	778	990	778
Max. Current	A <sub>rms</sub>	35	36	60		
Max. Power	kVA <sub>r</sub>	25				
Freq Range @ Full Power	kHz	58-92	90-92	49-85	27-76	19.9-35

**Celem Power Capacitors**

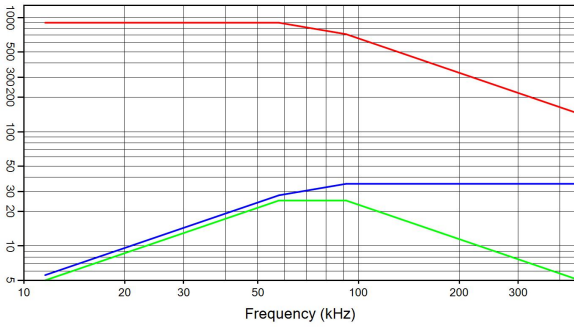
Produced: 17-11-2019

# C - CAP mini

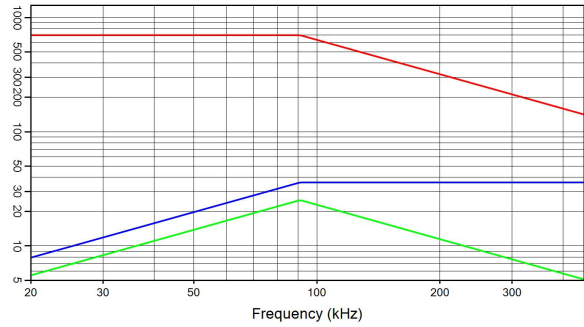
Conduction-cooled capacitor



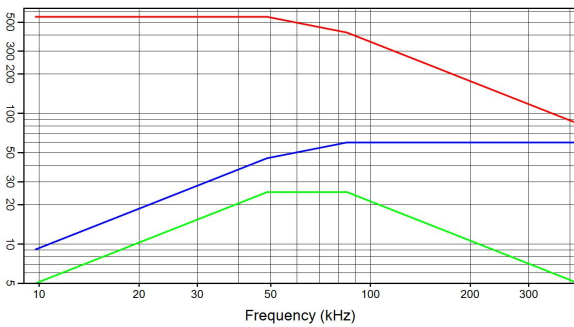
Technology Patented Worldwide



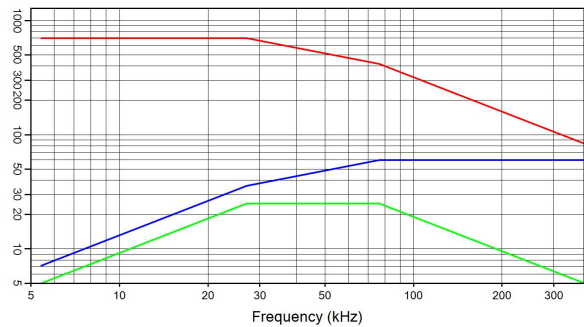
**C - CAP mini 0.085 µF 900 V<sub>rms</sub> 35 A<sub>rms</sub> 25 kVA<sub>r</sub>**  
I(A) — Q(kVA<sub>r</sub>) — V<sub>rms</sub>



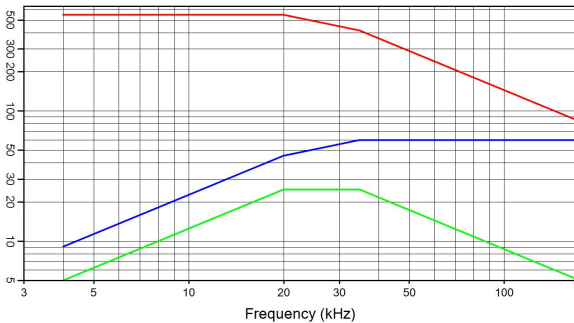
**C - CAP mini 0.09 µF 700 V<sub>rms</sub> 36 A<sub>rms</sub> 25 kVA<sub>r</sub>**  
I(A) — Q(kVA<sub>r</sub>) — V<sub>rms</sub>



**C - CAP mini 0.27 µF 550 V<sub>rms</sub> 60 A<sub>rms</sub> 25 kVA<sub>r</sub>**  
I(A) — Q(kVA<sub>r</sub>) — V<sub>rms</sub>



**C - CAP mini 0.3 µF 700 V<sub>rms</sub> 60 A<sub>rms</sub> 25 kVA<sub>r</sub>**  
I(A) — Q(kVA<sub>r</sub>) — V<sub>rms</sub>



**C - CAP mini 0.66 µF 550 V<sub>rms</sub> 60 A<sub>rms</sub> 25 kVA<sub>r</sub>**  
I(A) — Q(kVA<sub>r</sub>) — V<sub>rms</sub>